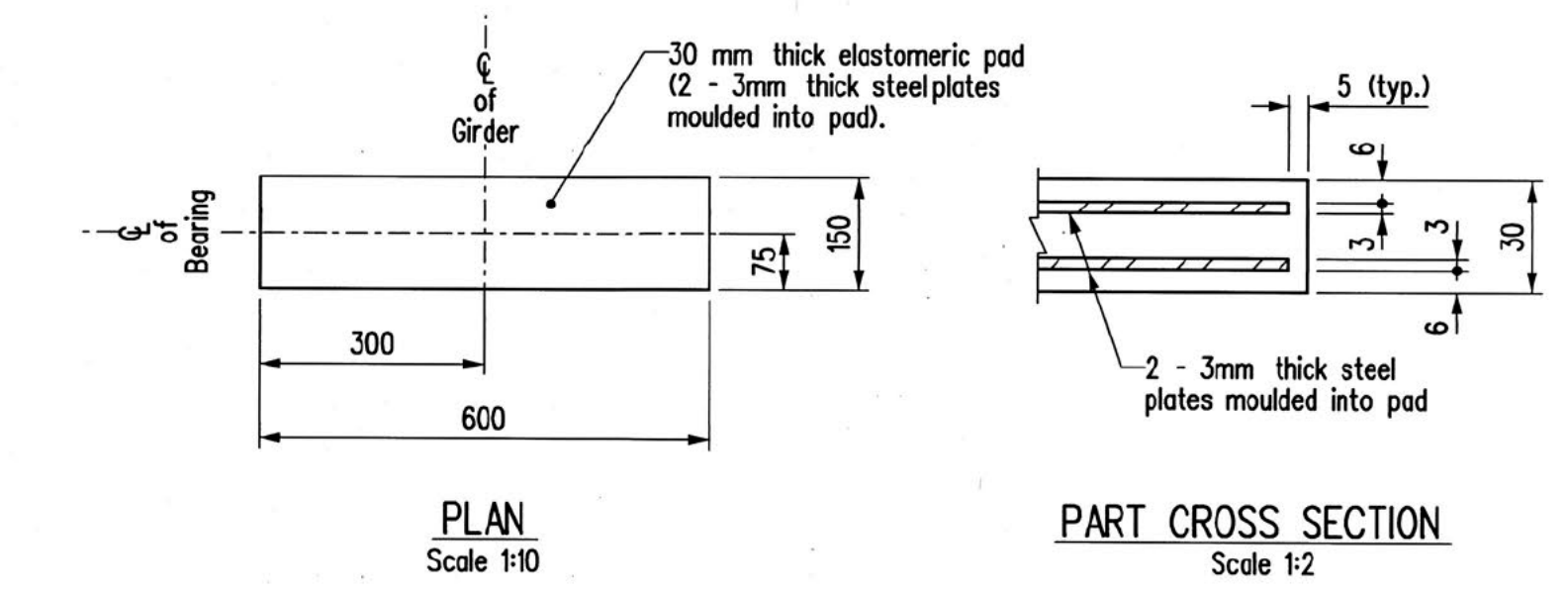


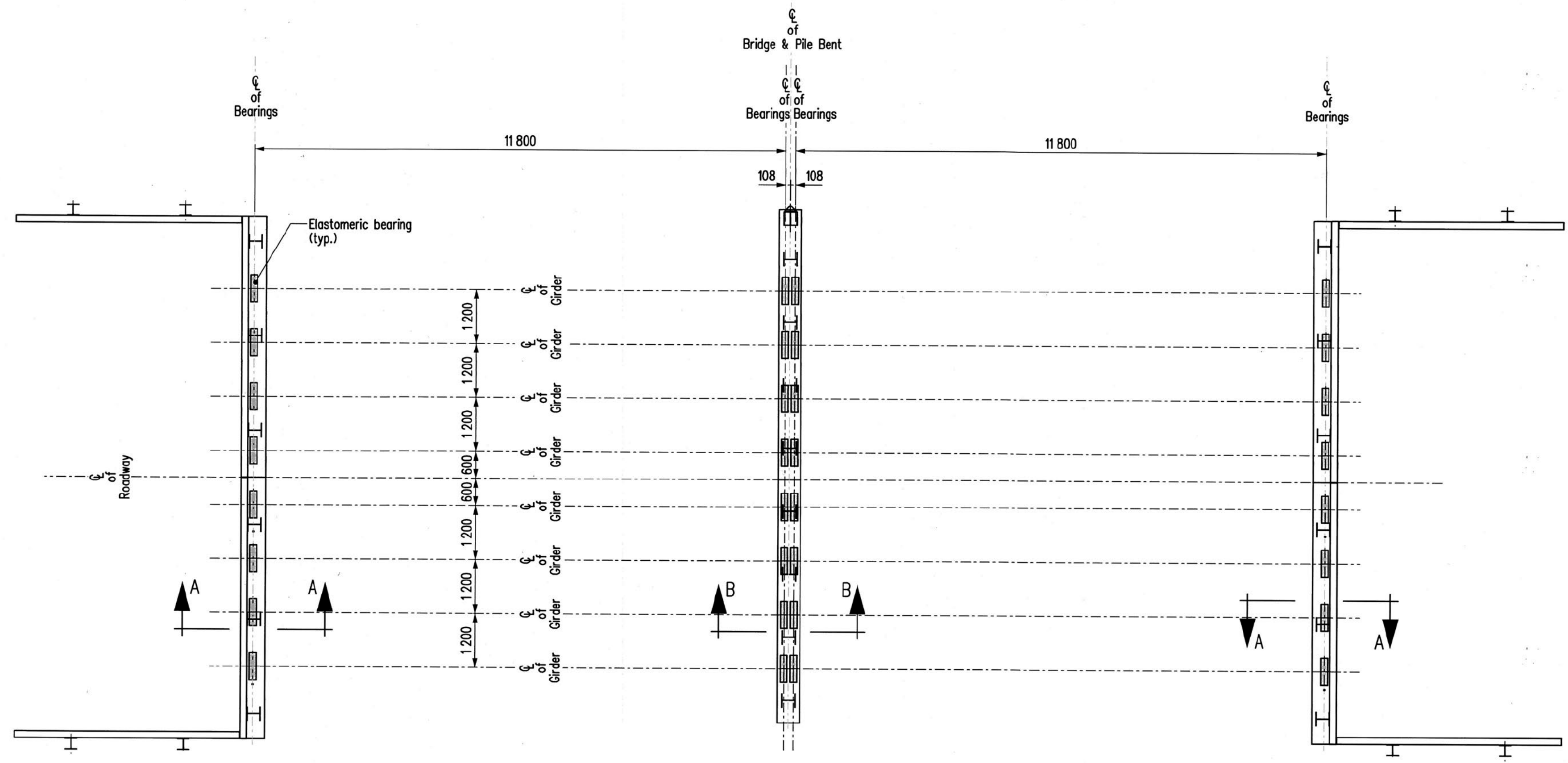
**BILL OF BEARINGS** 9 600 ROADWAY WIDTH - 2 SPAN

No.	LOCATION	DESCRIPTION	REMARKS
32	SU.1 - SU.3	Elastomeric bearings	As detailed

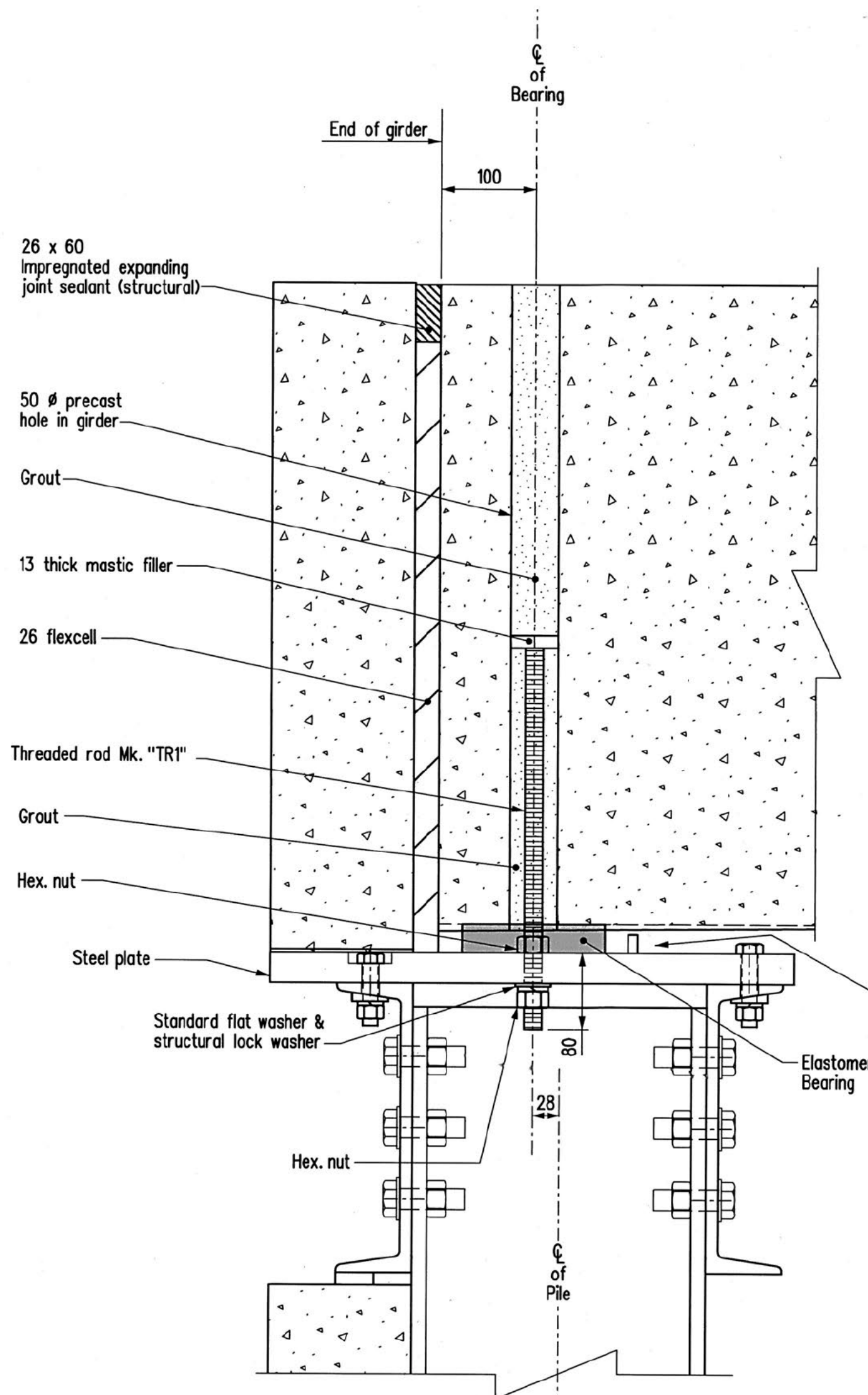
**NOTE:**  
 1. Elastomer shall be natural rubber. Elastomer shall be AASHTO low temperature Grade 5 with a minimum shear modulus  $G \geq 0.9$  MPa and a 60 durometer Shore A hardness.  
 2. Internal steel reinforcing plates for laminate bearings shall be rolled mild steel conforming to CAN/CSA G40.21 with a minimum yield strength of 300 MPa.



**ELASTOMERIC BEARINGS**

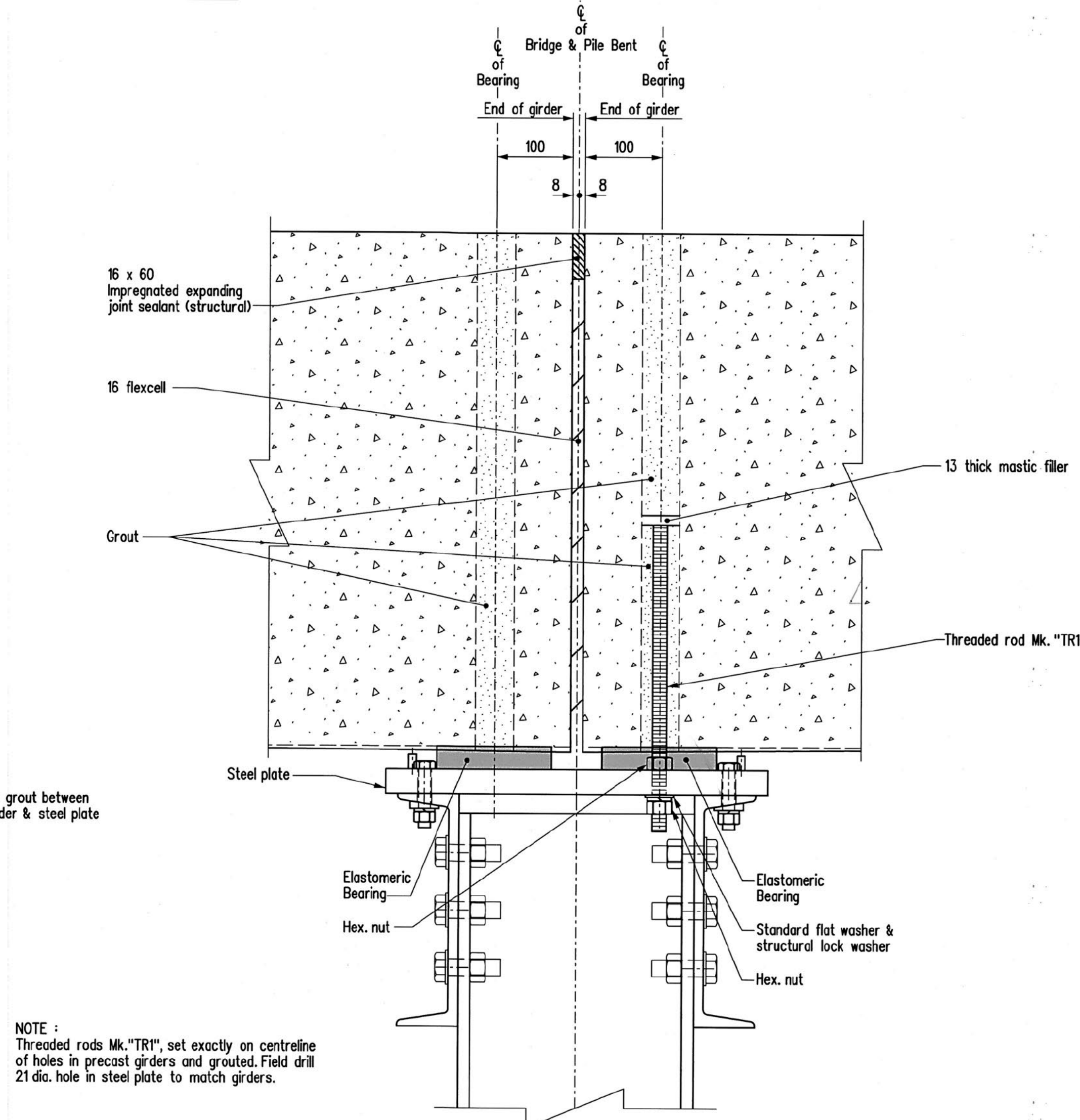


**PLAN**



**SECTION "A-A"**

For layout of threaded rods see STD PPCC\_PR\_9.6\_12m\_IB\_A005. Scale 1:5



**SECTION "B-B"**

For layout of threaded rods see STD PPCC\_PR\_9.6\_12m\_IB\_A005. Scale 1:5

- NOTES:**  
 Re: Girder Erection Operations Behind Abutment Ballast Walls
- Surcharge loading on the backfill resulting from girder erection operations shall be minimized near the precast concrete ballast walls and wingwalls.
  - Where possible, girder erection equipment shall be positioned such that there are no surcharge loads behind the back face of the precast panels within a distance equal to the depth of backfill to the bottom of the panels at the time of girder erection.
  - Should the Contractor propose to encroach on this zone, the following requirements must be satisfied:
    - Submit a girder erection procedure for approval outlining type, configuration, weights and locations of equipment including expected tipping forces on crane outriggers, etc.
    - Perform all precautionary measures outlined by the Department as a result of that submission.
    - All surcharge loads encroaching in this zone must be distributed over an area not less than 2.0 m<sup>2</sup>.

REVISIONS		BEARING AND ERECTION DETAILS	
DATE	BY		
		APPROVED BY: Original signed by John Logan Dec.13, 2022 DIRECTOR OF BRIDGES AND HIGHWAY STRUCTURES	
		DESIGN BY: <u>  A.H.P.  </u>	
		CHECKED: <u>  A.H.P.  </u>	
		DESIGN BY: <u>  K.P.  </u>	
		CHECKED: <u>  A.H.P.  </u>	
		SCALE: 1:75	
		SHEET No. _____	
		OF 09 shown	
		STD No. PPCC_PR_9.6_12m_IB_B02	

Original signed by  
 Andy Pankratz  
 Nov.2, 2022