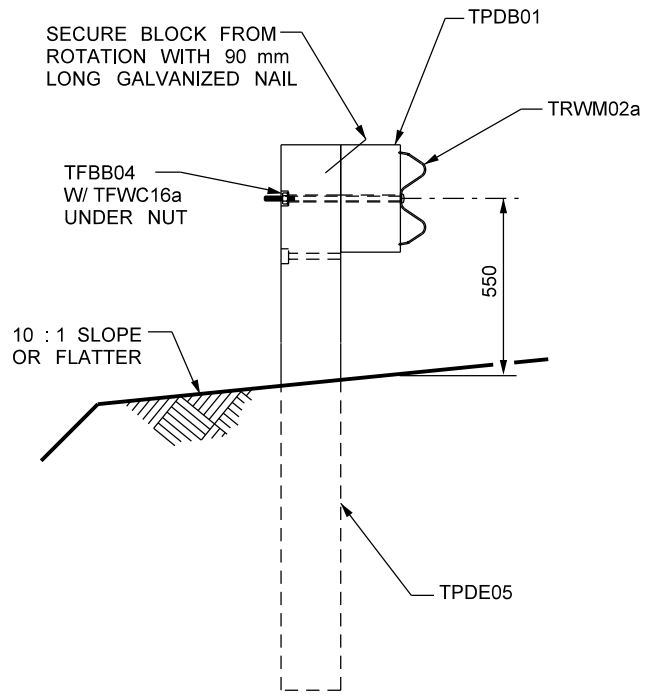
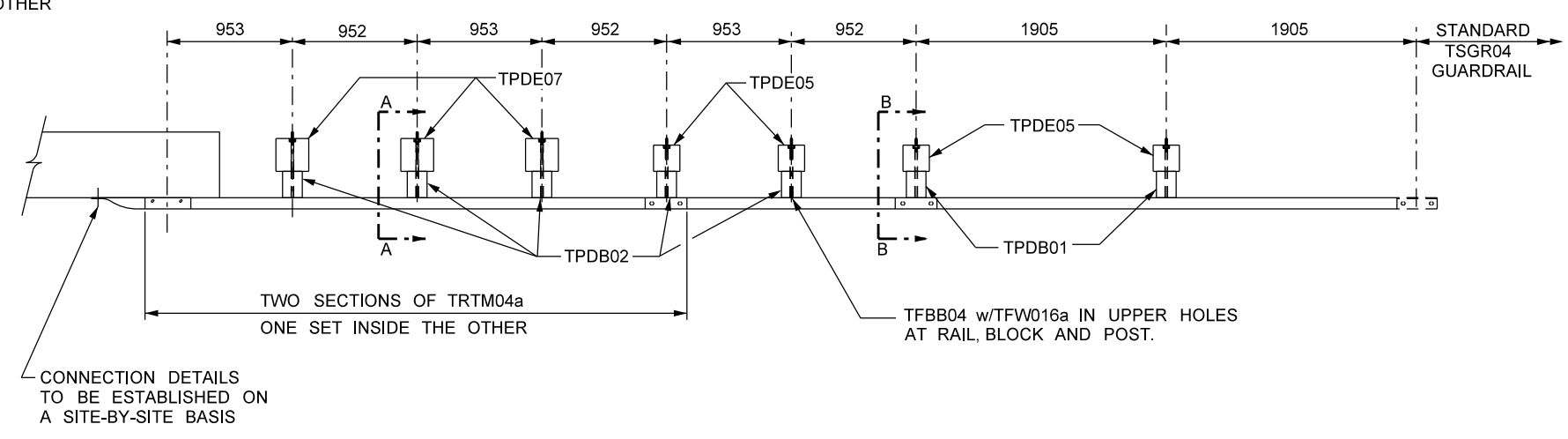


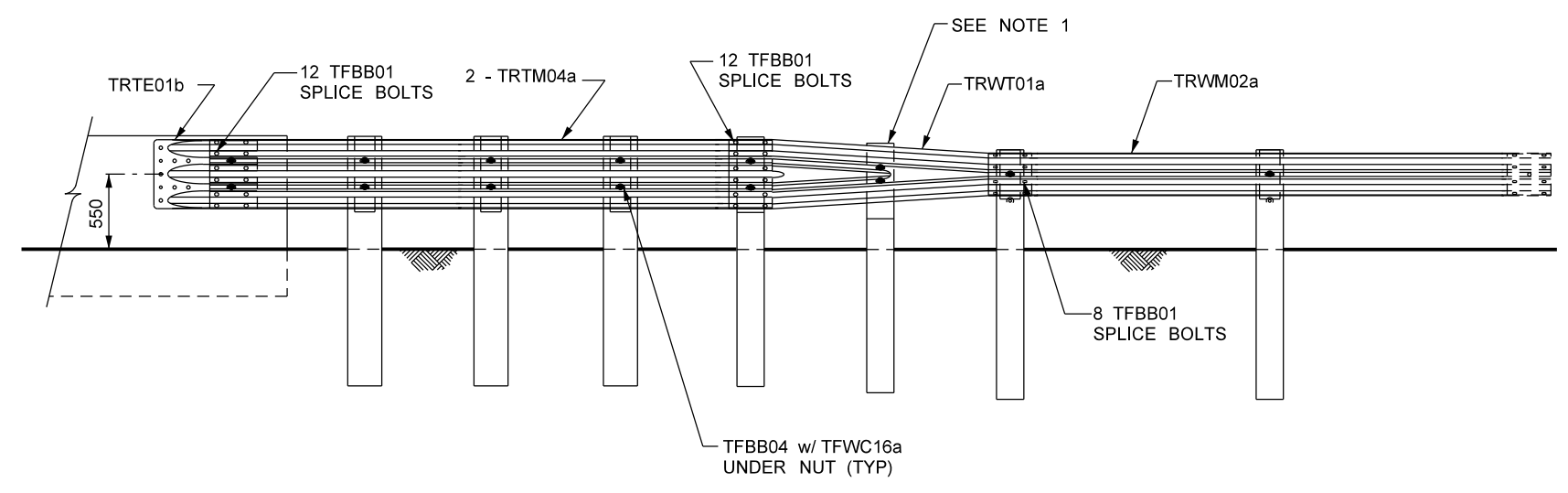
SECTION A-A 1:25



SECTION B-B 1:25



PLAN 1:50



ELEVATION 1:50

NOTES:

1. ASSEMBLE RAIL, BLOCKOUT AND POST USING 1-TFBB04 IN UPPER HOLE OF EACH C/W 1 TFWC16a UNDER NUT. BLOCK TO BE TOENAILED TO POST USING A 90 mm GALVANISED NAIL TO PREVENT ROTATION
2. BLOCKOUT TO BE NAILED TO POST TO PREVENT ROTATION USING 90 mm LONG GALVANISED NAIL
3. ALL SCALES ARE APPROXIMATE

REVISIONS		
DATE	DESCRIPTION	BY

Manitoba Infrastructure and Transportation
TRAFFIC ENGINEERING



NESTED THRIE - BEAM TO VERTICAL WALL TRANSITION

SHEET NO	1 OF 1
DATE:	2002 - 09
DRAWN:	D.C.

TSTB05