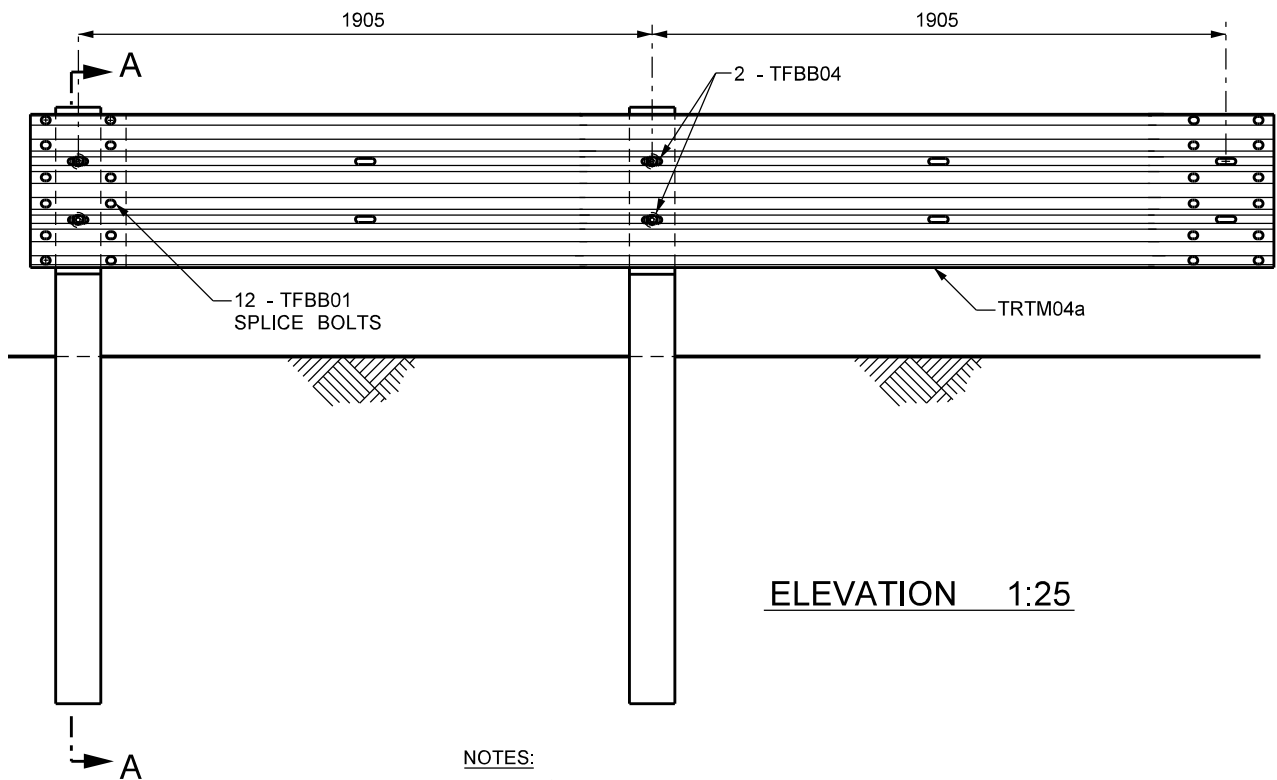


PLAN 1:25



ELEVATION 1:25

NOTES:

1. ALL SCALES ARE APPROXIMATE
2. LEAVE OUT ONLY REQUIRED WHERE PAVEMENT EXISTS.
3. ALL DIMENSIONS IN MILLIMETRES.
4. THE ORIGINAL SEALED AND SIGNED DRAWING IS IN TRAFFIC ENGINEERING.

REVISIONS		
DATE	DESCRIPTION	BY
2014/04	LEAVEOUT AND PLAN DETAILS ADDED	HL

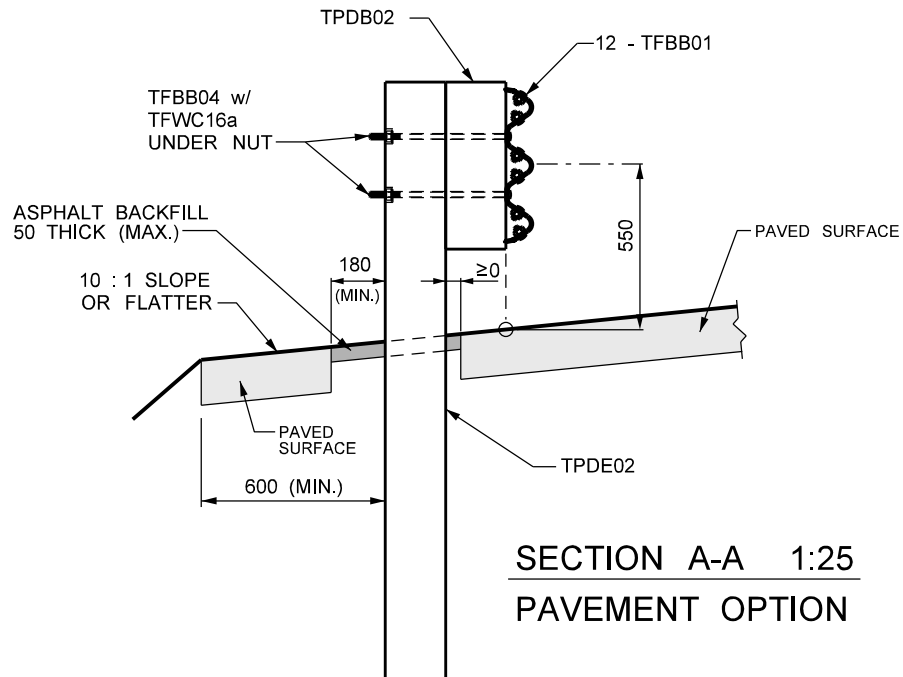
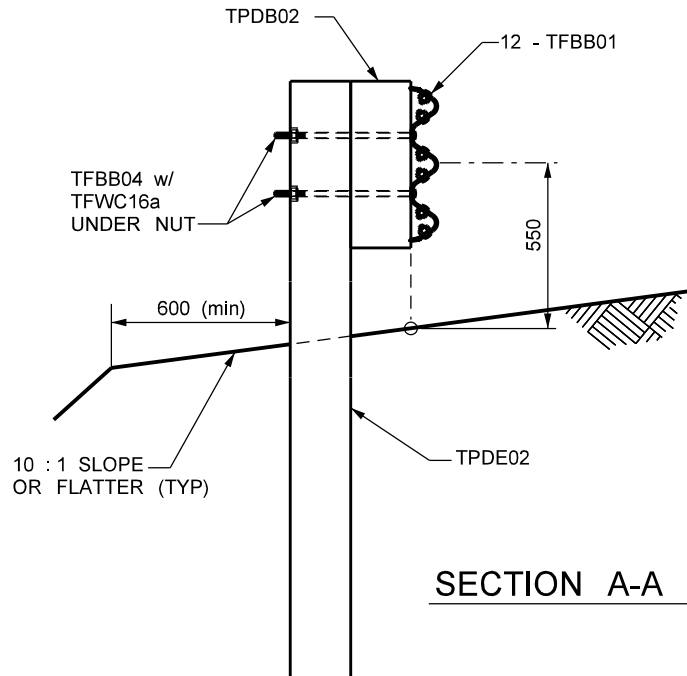
Manitoba 
Infrastructure and Transportation
 TRAFFIC ENGINEERING



STRONG - POST
 THRIE - BEAM GUARDRAIL

SHEET NO	1 OF 2
DATE:	2002 - 09
DRAWN:	D.C.

TSGR09c



REVISIONS		
DATE	DESCRIPTION	BY
2014/04	LEAVEOUT AND PLAN DETAILS ADDED	HL

Manitoba 
Infrastructure and Transportation
 TRAFFIC ENGINEERING



**STRONG - POST
 THRIE - BEAM GUARDRAIL**

SHEET NO	2 OF 2
DATE:	2002 - 09
DRAWN:	D.C.

TSGR09c