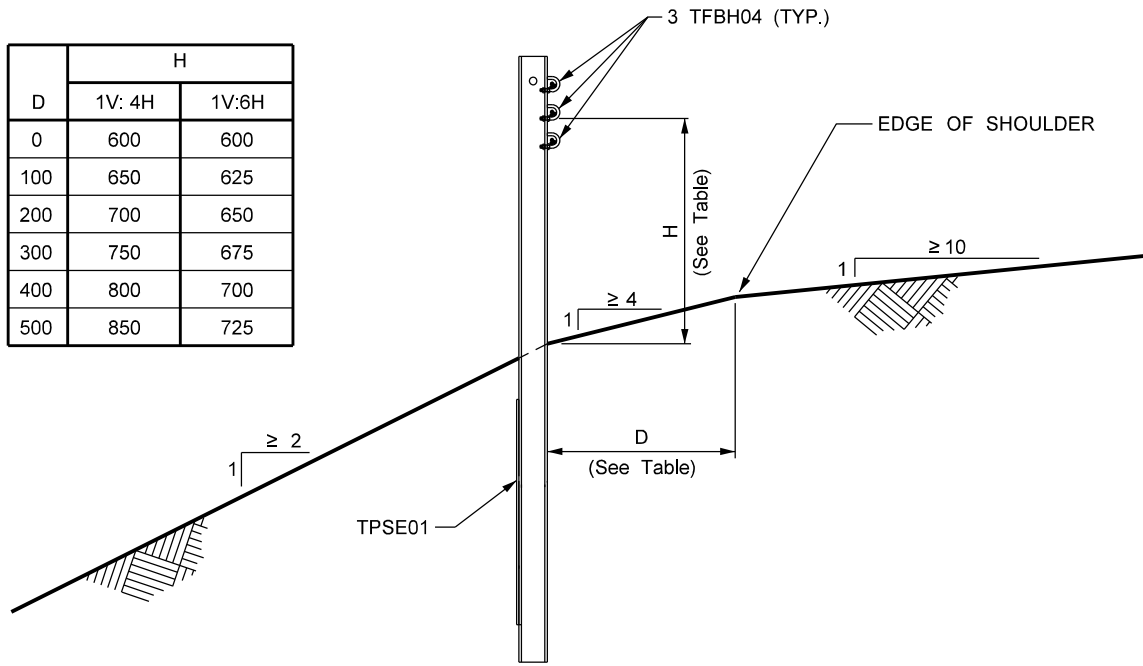


D	H	
	1V: 4H	1V:6H
0	600	600
100	650	625
200	700	650
300	750	675
400	800	700
500	850	725



- NOTES:
1. ALL SCALES ARE APPROXIMATE.
 2. ALL DIMENSIONS ARE IN MILLIMETRES.
 3. THE ORIGINAL SEALED AND SIGNED DRAWING IS IN TRAFFIC ENGINEERING.

REVISIONS		
DATE	DESCRIPTION	BY
14-04	NEW CROSS SECTION, PLAN VIEW, NOTES	H.L.

Manitoba 
Infrastructure and Transportation
 TRAFFIC ENGINEERING



3 - CABLE GUARDRAIL

SHEET NO	1 OF 1
DATE:	2002 - 09
DRAWN:	D.C.

TSGR01a