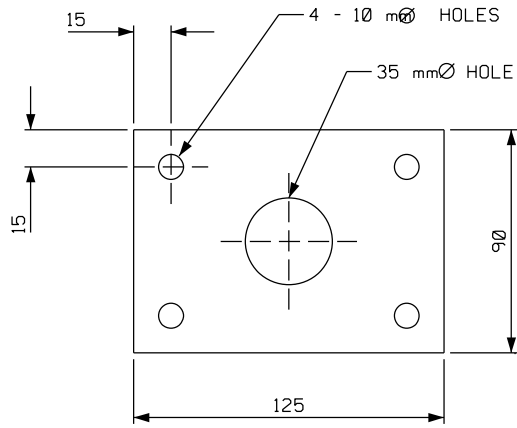
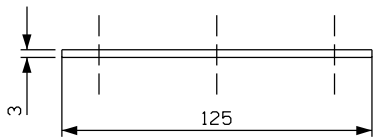


SIDE VIEW

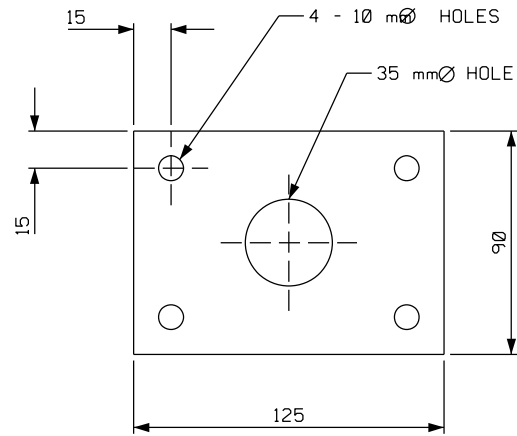


BOTTOM VIEW

TOP PIECE

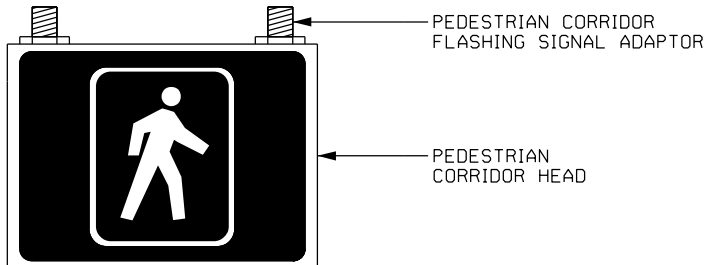


SIDE VIEW



BOTTOM VIEW


BOTTOM PIECE



NOTES:

1. MATERIAL: ALUMINUM TYPE 6061.
2. STOCK CODE: 17948.
3. ALL DIMENSIONS ARE IN MILLIMETERS.

REVISIONS	DESCRIPTION	BY	DATE

**Manitoba**   
 Infrastructure and  
 Transportation  
 TRAFFIC ENGINEERING

PEDESTRIAN CORRIDOR  
 FLASHING SIGNAL ADAPTOR

ORIGINAL  
 APPROVED BY: LUCIEN GAGNON

SCALE: N.T.S.  
 DATE: 06-05  
 PREP. BY: H.A.E.  
 E-069