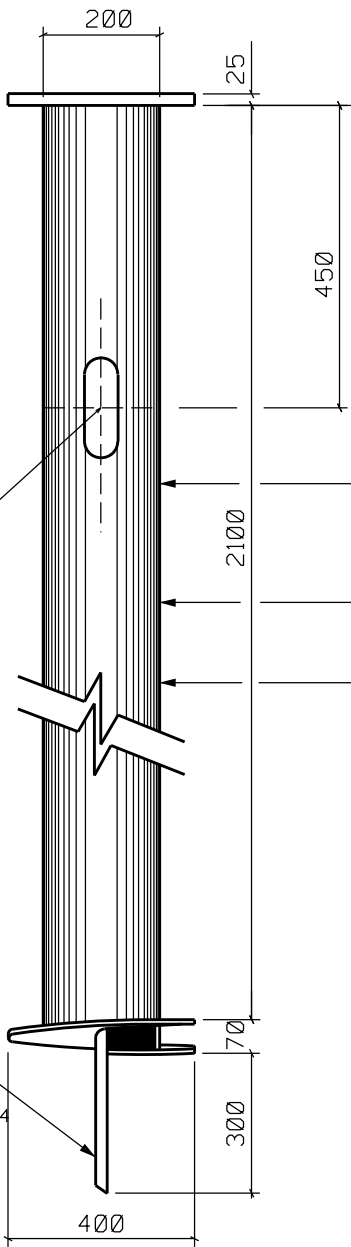


TOP VIEW



2 SLOTTED HOLES  
(50 mm X 150 mm)  
AT 180 DEGREE  
SPACING


FINISH-  
HOT DIPPED GALVANIZED  
C.S.A. STANDARD G164 - M1981  
NET RETENTION OF 600<sup>2</sup>g/m

ANCHOR DIAMETER - 200 mm  
LENGTH - 2100 mm

WALL THICKNESS - 10 mm

- NOTES:
1. BASEPLATE MATERIAL H.R.S.- ASTM A36 (OR EQUIVALENT) - 25 mm THICK
  2. BREAK ALL CORNERS AND SHARP EDGES.
  3. ALL DIMENSIONS ARE IN MILLIMETERS.
  4. SUPPLIED WITH 4 STUDS, 28.575 mm  $\varnothing$  x 90 mm, GRADE 5, GALVANIZED.

REVISIONS	DATE	DESCRIPTION	BY	DC
	03-06	REVISIONS		
	02-08	T.B. UPDATED	DC	

**Manitoba**   
Infrastructure and  
Transportation  
TRAFFIC ENGINEERING

GREEN SCREW ANCHOR  
AND APPLICABLE BASE PLATE  
FOR 150 mm  $\varnothing$  ALUMINUM POST

APPROVED BY: LUCIEN GAGNON

SCALE: N.T.S.  
DATE: 09-1993  
PREP.BY: B.J.  
E-016u