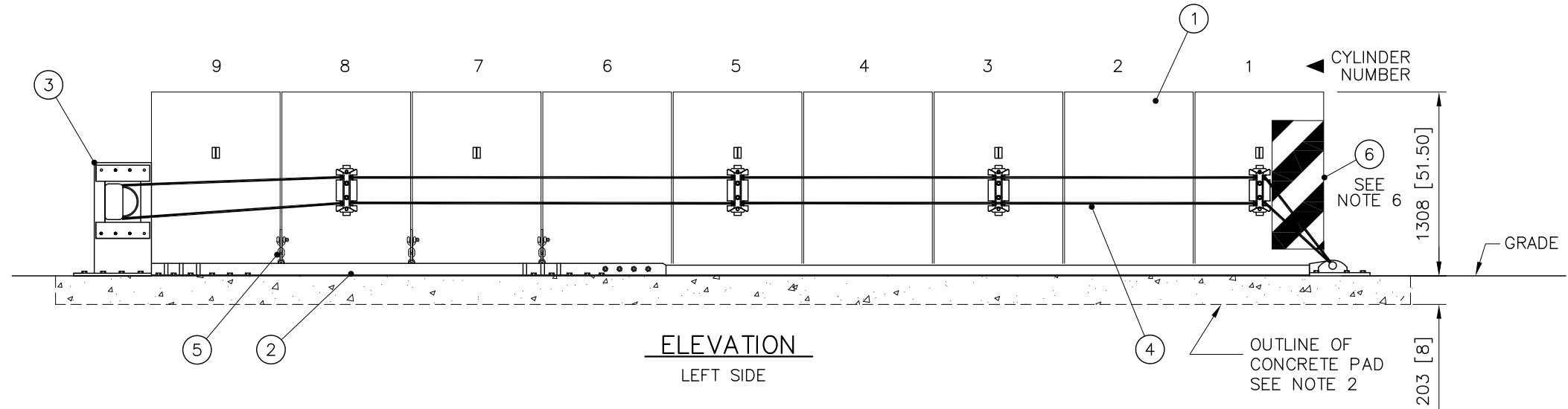


PLAN



ELEVATION
LEFT SIDE

NOTES:

1. IN COMPLIANCE WITH THE AASHTO 2002 ROADSIDE DESIGN GUIDE, MANUFACTURER RECOMMENDS REMOVAL OF ALL CURBS AND ISLANDS TO ENSURE PROPER IMPACT PERFORMANCE.
2. 203 [8.00] MIN. REINFORCED 28 MPa [4000 PSI] P.C. CONCRETE PAD OR 203 [8.00] MIN. NON-REINFORCED 28 MPa [4000 PSI] P.C. CONCRETE ROADWAY MEASURING AT LEAST 3.66m [12'-0"] WIDE BY 15.24m [50'-0"] LONG.
3. SEE THE "REACT 350 PRODUCT MANUAL" FOR A DESCRIPTION OF ITS IMPACT PERFORMANCE CHARACTERISTICS AND DESIGN LIMITATIONS BEFORE PLACING A SYSTEM AT A GIVEN SITE. INFORMATION AND COPIES OF ABOVE MANUAL ARE AVAILABLE BY CALLING CUSTOMER SERVICE DEPARTMENT AT (312) 467-6750.
4. WHERE NECESSARY, THE CUSTOMER SHALL SUPPLY A TRANSITION FROM THE SYSTEM TO THE OBJECT BEING SHIELDED TO PREVENT SNAGGING OF VEHICLES. TRANSITION ASSEMBLIES ARE SUPPLIED AS ACCESSORIES AND ARE ORDERED SEPARATELY.
5. UNITS OF MEASUREMENT ARE MILLIMETERS [INCHES] UNLESS OTHERWISE NOTED.
6. NOSE COVER NOT INCLUDED IN MODEL NUMBER. ORDER SEPARATELY.

MODEL NO. 62B036

K E Y	① CYLINDER	④ CABLE	REFERENCES			DRAWN: L. Corker	DATE: 12/21/99		ENERGY ABSORPTION SYSTEMS ENGINEERING AND RESEARCH DEPARTMENT		
	② BASE TRACK	⑤ STABILIZER CHAIN				SERIAL# _____ CYLINDERS 3535001-0000	DESIGNED: _____ DATE: _____		REACT 350[®] SYSTEM W/SELF CONTAINED BACKUP		
③ BACKUP	⑥ REFLECTIVE NOSE COVER	SALES ORDER# _____ BACKUP/BASE TRACK 605028	CHECKED: _____ DATE: _____	ECO 2760; UPDATED CABLE GUIDES							
Revisions		EH PROJECT# _____ CONCRETE PAD 114054	APPROVED: _____ DATE: _____	SCALE 1:40			DWG. R62B036				
Created from R62B036B	Date 10/17/07	DESIGN SPEED 100 km/h [62 MPH]	CAD FILE: R62B036.dwg	SHEET 1 of 1			REV A				
ECO 2760; UPDATED CABLE GUIDES	Date 9/11/09	NOSE TYPE _____ REFLECTIVE NOSE 3535003-0000		1 of 1			A				
		NUMBER OF UNITS _____ REFLECTOR ASSY 613705		1 of 1			A				
		DEBRIS COVERS 606716 (OPTIONAL) RESTRAINING CABLE 605780		1 of 1			A				