


| | | | | | |
|------------|--------------|-------------------------|----|------|------|
| KEY | ① CYLINDER | ⑤ STABILIZER CHAIN | | | |
| | ② BASE TRACK | ⑥ REFLECTIVE NOSE COVER | | | |
| | ③ BACKUP | | | | |
| | ④ CABLE | | | | |
| Revision | Date | Rev | By | Chk. | App. |
| | | | | | |
| | | | | | |
| | | | | | |

| SERIAL NO. | | SALES ORDER | | EH PROJECT | | NO. OF UNITS | |
|------------|--|-------------|--|------------|--|--------------|--|
| | | | | | | | |

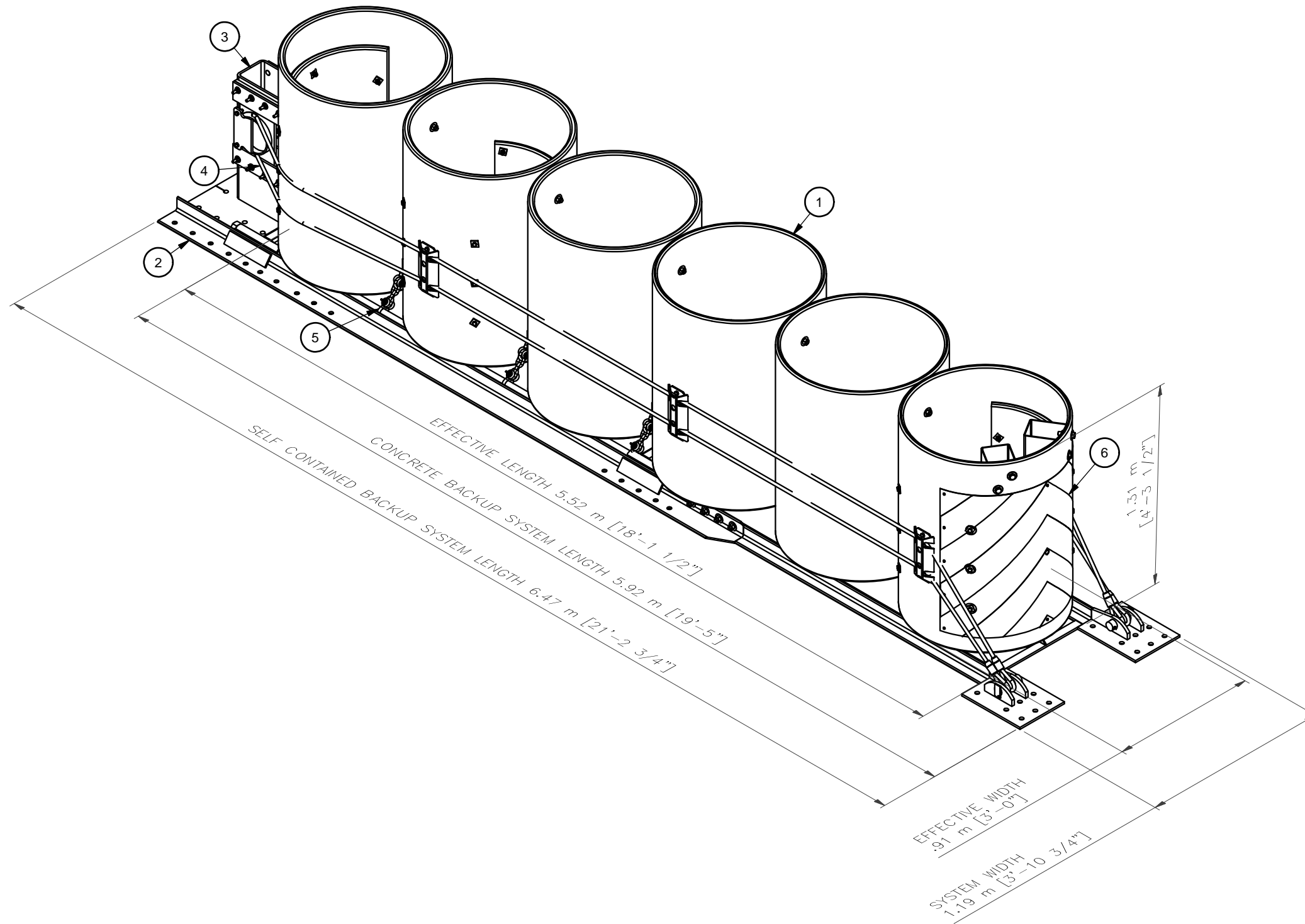
| REFERENCES | |
|---------------------|--------------|
| CYLINDERS | 3535001-0000 |
| BACKUP / BASE TRACK | 3535002-0000 |
| CONCRETE PAD | 114054 |
| STABILIZER CHAIN | 606186 |
| REFLECTIVE NOSE | NEW |
| REFLECTOR ASSY | 613706 |
| RESTRAINING CABLE | 3535055-0000 |

| | | | |
|-----------|----------------------|-------|-----------|
| DRAWN: | A.Cox | DATE: | 10/6/2010 |
| DESIGNED: | A.Cox | DATE: | |
| CHECKED: | | DATE: | |
| APPROVED: | | DATE: | |
| FILE: | 6 Cyl TL-3 REACT.idw | | |


ENERGY ABSORPTION SYSTEMS, INC.
 ENGINEERING AND RESEARCH DEPARTMENT

REACT 350® II


| | | | |
|--------|------------------|--------|------|
| SCALE: | DRAWING: | SHEET: | REV: |
| | 6 Cyl TL-3 REACT | 1 of 2 | |



| | | | | | |
|------------|------|------------|----|-----------------------|------|
| KEY | ① | CYLINDER | ⑤ | STABILIZER CHAIN | |
| | ② | BASE TRACK | ⑥ | REFLECTIVE NOSE COVER | |
| | ③ | BACKUP | | | |
| | ④ | CABLE | | | |
| Revision | Date | Rev | By | Chk. | App. |
| | | | | | |
| | | | | | |
| | | | | | |

| <u>REFERENCES</u> | | |
|---------------------|--|--------|
| CYLINDERS | | |
| BACKUP / BASE TRACK | | |
| CONCRETE PAD | | |
| STABILIZER CHAIN | | 114054 |
| REFLECTIVE NOSE | | 606186 |
| REFLECTOR ASSY | | |
| RESTRAINING CABLE | | 613706 |
| SERIAL NO. | | |
| SALES ORDER | | |
| EH PROJECT | | |
| NO. OF UNITS | | |

| | | | |
|-----------|----------------------|-------|-----------|
| DRAWN: | A.Cox | DATE: | 10/6/2010 |
| DESIGNED: | A.Cox | DATE: | |
| CHECKED: | | DATE: | |
| APPROVED: | | DATE: | |
| FILE: | 6 Cyl TL-3 REACT.idw | | |


ENERGY ABSORPTION SYSTEMS, INC.
 ENGINEERING AND RESEARCH DEPARTMENT

REACT 350® II

| | | | |
|--------|------------------|--------|------|
| SCALE: | DRAWING: | SHEET: | REV: |
| | 6 Cyl TL-3 REACT | 2 of 2 | |