

4

3

2

1

NOTES:

- 1. ITEM #3 NOT SHOWN.
- 2. TORQUE CABLE ASSEMBLY NUT TO 500 FT-LBF [680 N-m]
- 3. TORQUE SLIDER BOLTS TO 20 FT-LBF [27 N-m]
- 4. TORQUE NOSE PIECE ATTACHMENT HARDWARE TO 200 FT-LBF [270 N-m]

Find No.	QTY	Description	UOM	No.
1	1	TAU-IIR 30in 100kph COMPONENTS	EACH	30TR100
2	1	Compact Backstop, 30"	EACH	COB30
3	1	TAU-IIR Nose Kit, Black	EACH	BSI-1202008-KT
4	1	Concrete Anc Pkg, COB	EACH	CCOB
5	1	TAU-IIR EAE Mntng HW kit, COB	EACH	BSI-1108015-KT

D

D

C

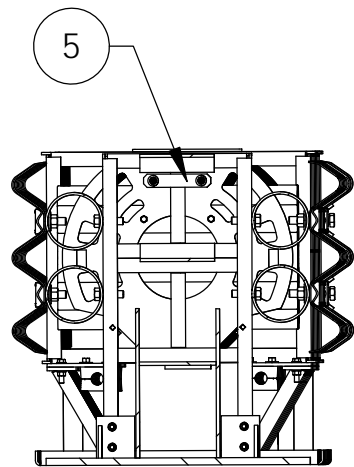
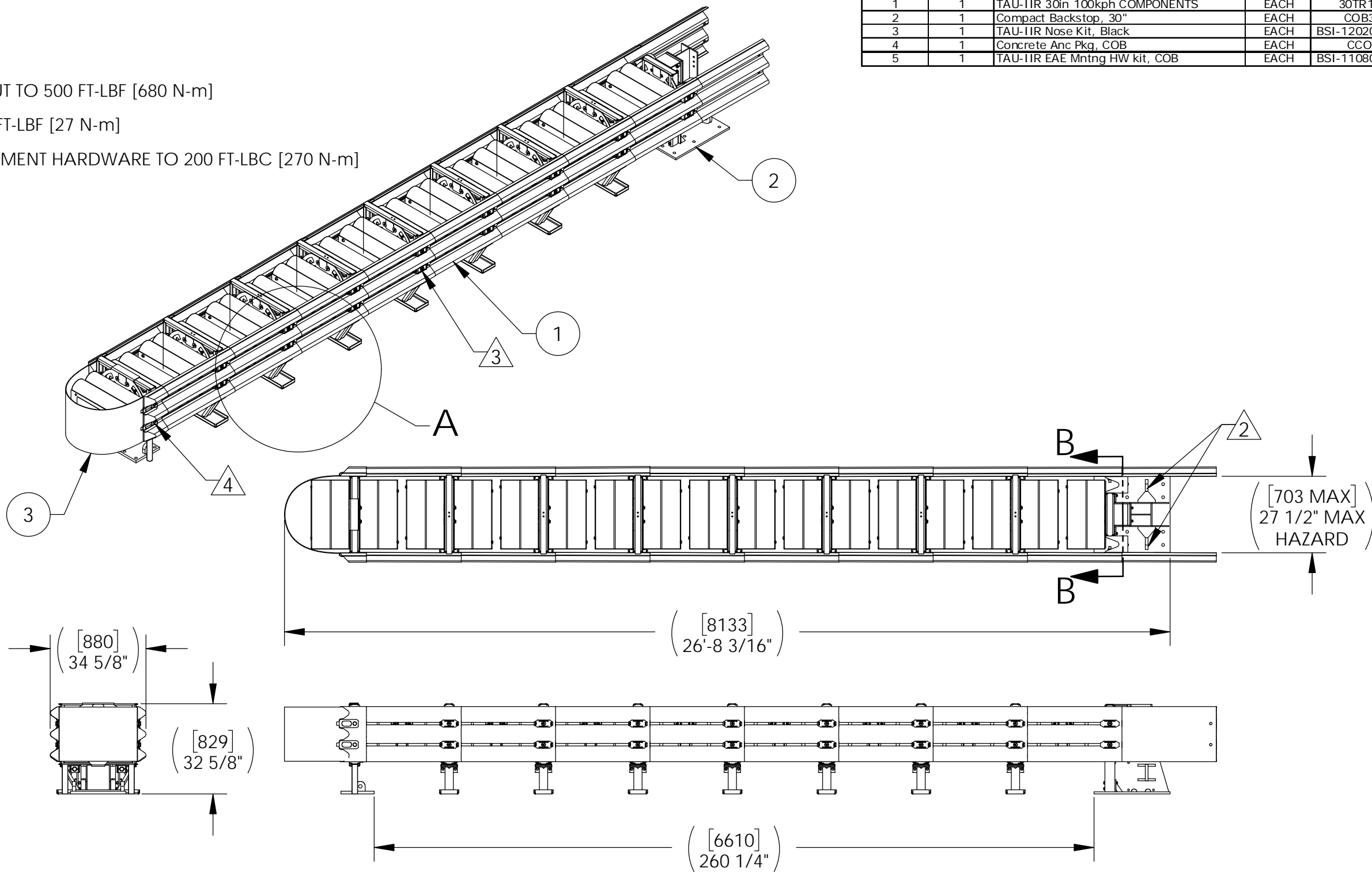
C

B

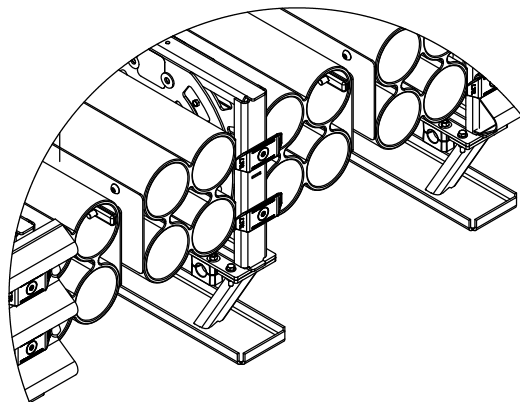
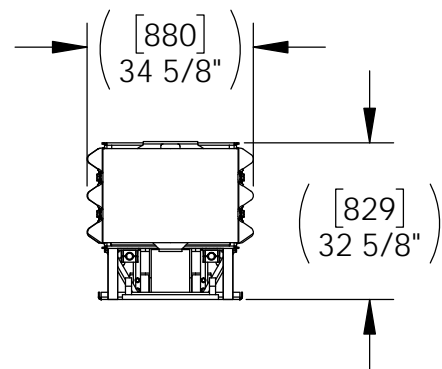
B

A

A



SECTION B-B
SCALE 1 : 20



DETAIL A
SCALE 1 : 20

© 2014 BARRIER SYSTEMS INC. THE INFORMATION CONTAINED IN THIS DRAWING IS THE SOLE PROPERTY OF BARRIER SYSTEMS INC. ANY REPRODUCTION IN PART OR WHOLE WITHOUT THE WRITTEN PERMISSION OF BARRIER SYSTEMS INC. IS PROHIBITED.		UNLESS OTHERWISE SPECIFIED DIMENSIONS ARE IN INCHES. TOLERANCES ARE: FRACTIONS DECIMAL ANGLES $\pm 1/16$.XX = ± 0.03 $\pm 1/2^\circ$.XXX = ± 0.10				BARRIER SYSTEMS 180 River Road Rio Vista, CA 94571 Tel: 888-800-3691 www.barriersystemsinc.com	
APPROVALS DRAWN BY: S. DENNIS DRAWN DATE: 10/04/2011 APPR'D BY: G. DYKE PE APPR'D DATE: 10/14/2011		THIRD ANGLE PROJECTION 		TITLE TAU-IIR 30" 100Kph COMPACT BACKSTOP BLACK NOSE, CONCRETE PKG.		REV. B	
DO NOT SCALE DRAWING		REV ECN# DATE		SIZE DWG NO. B 30TR100CBC		SCALE 1:40 SHEET 1 OF 1	

4

3

2

1