

No.	Part No.	Description	Qty		
1	BSI-1310027-00	XLITE, CRIMPED POST HOLES, GALV	1		
2	BSI-1012086-00	POST II, X-LITE, GALV	1		
3	BSI-1012078-00	LINE POST, X-LITE, GALV	5		
4	BSI-1012103-00	IMPACT HEAD X-LITE, GALV	1		
5	BSI-1012093-00	SLIDER PANEL, FRONT, XLITE, GALV	1		
6	BSI-1012090-00	Slider Bracket, X-Lite	1		
7	BSI-1012096-00	BACK SLIDER PANEL, X-LITE, GALV	1		
8	BSI-1101209-00	Ground Strut Assembly, X-Lite	2		
9	BSI-1012104-00	Cable Anchor Assembly, X-Lite	1		
10	K080123	Kit, X-Tension Shear Bolt,	2		
11	BSI-1012098-00	Ground Strut Angle, GALV	1		
12	B090534	W-Beam Composite Blockout 8in,	6		
BSI-1501026-KT				HARDWARE KIT XLTSUS-50	
13	4001115	Guardrail Bolt 5/8-11x 1 1/4	16		
14	2001758	Guardrail bolt 5/8-11 x 2, Mgal	2		
15	2001840	Guardrail bolt 5/8-11x10, Mgal	6		
16	4001116	Guardrail Nut Recessed 5/8-11	24		
17	BSI-1312100-00	Soil Plate, 18x18, Galv,	1		
18	4000443	W-Beam Guardrail RWM02a	4		
19	BSI-1310024-00	XLITE, CRIMPED POST SLOTS, GALV	1		
20	MANXLT	X-Lite Tangent Installation	1		
BSI-1410022-KT				X-Lite Distributor HW Kit	
31	2000220	C-Scr HH 5/8-11x3 1/2 Gr5 MGal	2		
32	2001636	Wshr 5/8 F436 Struct MGal	4		
33	2000312	Nut HX 5/8-11 Gr5 Mgal	2		
34	2001580	Wshr 1 F436 Structural Gal	2		
35	BSI-1303005-00	Bracket, X-Lite, Cable Retenti	1		
36	BSI-1102027-00	WASHER, SQUARE, X-LITE, GALV	1		
37	BSI-1410121-00	NUT, 1-8 UNC-2, ASTM Q563 DH	2		

- INSTALL SLIDER PANEL, FRONT (ITEM 5) TO FIRST W-BEAM GUARDRAIL PANEL USING ITEMS 13 & 16. HEX NUTS TO BE ON TRAFFIC SIDE.
- INSTALL SLIDER BRACKET (ITEM 6) TO SECOND W-BEAM GUARDRAIL PANEL USING ITEMS 13 & 16.
- AFTER STEPS 1 & 2 SECURE FIRST AND SECOND W-BEAM GUARDRAIL PANEL USING ITEMS 7, 13 & 16. HEX NUTS TO BE ON TRAFFIC SIDE.
- IF ROCK OR STIFF SOIL IS ENCOUNTERED, THE POST AND SOIL PLATE MAY BE INSTALLED BY AUGERING AND BACKFILLING THE HOLE. EXTRA CARE MUST BE TAKEN TO PREVENT SETTLEMENT OR LATERAL DISPLACEMENT OF THE POST. BACKFILL MATERIAL SHALL BE COMPACTED TO OPTIMUM COMPACTION.
- IF ROCK IS ENCOUNTERED, THE SOIL PLATE MAY BE MODIFIED IF APPROVED BY THE PROJECT ENGINEER.

© 2010 BARRIER SYSTEMS INC. THE INFORMATION CONTAINED IN THIS DRAWING IS THE SOLE PROPERTY OF BARRIER SYSTEMS INC. ANY REPRODUCTION IN PART OR WHOLE WITHOUT THE WRITTEN PERMISSION OF BARRIER SYSTEMS INC. IS PROHIBITED.

APPROVALS

DRAWN BY:	JMT
DRAWN DATE:	08/29/13
APPR'D BY:	GAD
APPR'D DATE:	09/06/13

UNLESS OTHERWISE SPECIFIED DIMENSIONS ARE IN INCHES. TOLERANCES ARE:

FRACTIONS	DECIMAL	ANGLES
±1/16	.XX = ±.03 .XXX = ±.010	±1/2°

INTERPRET DIMENSIONS AND TOLERANCES PER ASME Y14.5-1994

THIRD ANGLE PROJECTION

DO NOT SCALE DRAWING

REV	ECN#	DATE
G	2564	12/08/14
F	2540	12/08/14
E	2489	10/24/14
D	2253	03/25/14
C	2220	01/23/14
B	2165	11/13/13
A	2162	10/30/13

LINDSAY
TRANSPORTATION SOLUTIONS

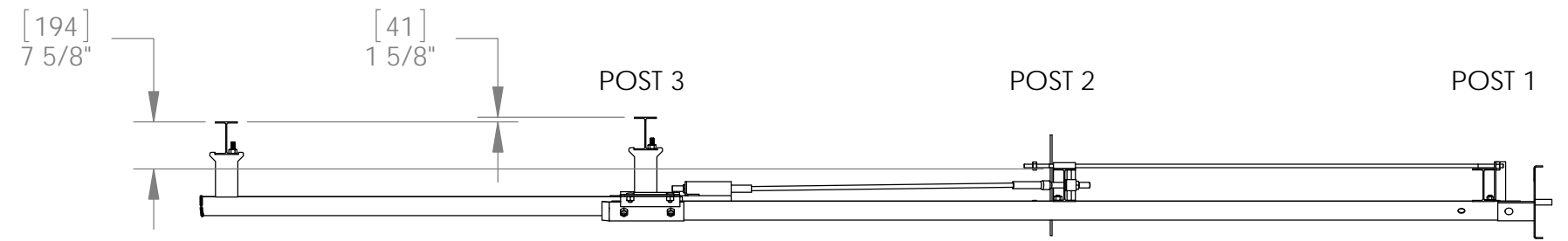
BARRIER SYSTEMS
180 River Road
Rio Vista, CA 94571
Tel: 888-800-3691
www.barriersystemsinc.com

TITLE
X-LITE SYSTEM TANGENT, 50 FT

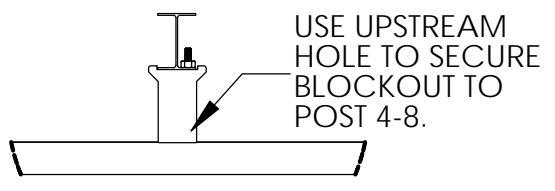
SIZE **B** DWG NO. **XLTSUS-50** REV. **G**

SCALE 1:40 SHEET 1 OF 2

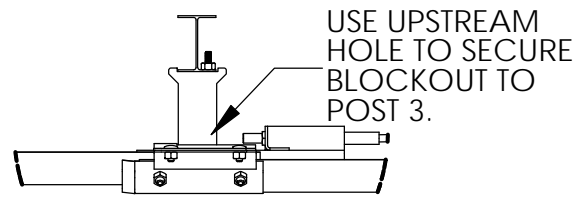
- 1. ENSURE GUARDRAIL BOLT IS BOLTED THROUGH BOTH GUARDRAIL PANELS, BLOCKOUT AND POST AT POST 7,8 & 9.
- 2. A MINIMUM OF 12 FT 6 IN OF W-BEAM GUARDRAIL IS REQUIRED DOWNSTREAM OF POST 9 PRIOR TO ANY TRANSITION OR ATTACHMENT TO RIGID BARRIER.



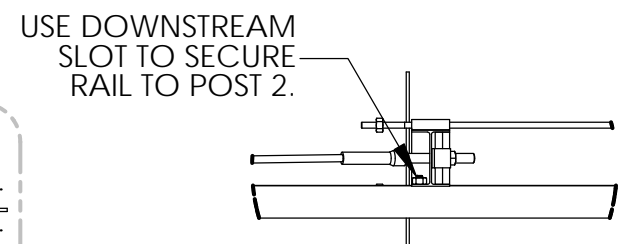
POSTS 4-8 ARE IN LINE.
 OFFSET POST 3 FROM POST 4 PER DIMENSION SHOWN.
 OFFSET POSTS 2 AND 1 FROM POST 4 PER DIMENSION SHOWN.
 ALL DIMENSIONS ARE TO THE OUTSIDE FLANGE OF THE POSTS.



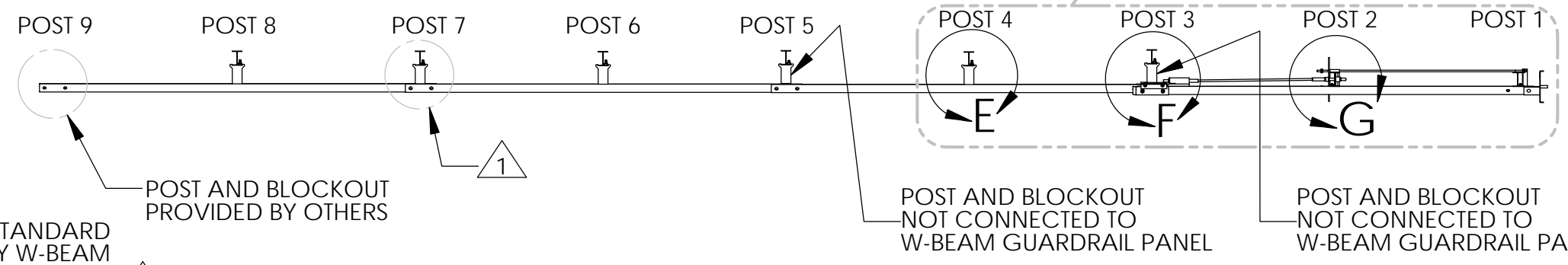
DETAIL E
(SCALE 1:20)



DETAIL F
(SCALE 1:20)



DETAIL G
(SCALE 1:20)



BEGIN STANDARD HIGHWAY W-BEAM GUARDRAIL.

DIM. 'A' RAIL HEIGHT

USE SHEAR BOLT KIT (ITEM 10) AT POSTS 5 AND 7

POST 1 AND POST 2 NO BLOCKOUT

DIM. 'B' HEAD HEIGHT

GROUND LINE

DIM. 'C' POST HEIGHT

[1905] 75" [1905] 75" [1905] 75" [1905] 75" [1905] 75" [1905] 75" [1905] 75" [1905] 75"

[1905⁰₋₅₁] 75"+⁰₋₂"

SYSTEM HEIGHT DIMENSIONS					
REFERENCE DIMENSIONS	INCHES	MM	OR	INCHES	MM
A	RAIL HEIGHT	27 5/8			31
B	HEAD HEIGHT	33 3/8		36 7/8	934
C	POST HEIGHT	28 1/4		31 3/4	805

[15240] 50'-0"

SIZE **B** DWG NO. **XLTSUS-50** REV. **G**

SCALE 1:60 SHEET 2 OF 2